

1-2 Product Line

The tralift TE product line is composed of 7 different models outlined in Table 101. The rated load range of 1/8 ton to 2 ton in one or two lifting speeds is available depending on the model. On request, the hoist may be delivered with different lifting heights or pendant control cable lengths. The hoist can be fitted with push, geared or electric drive trolley available for any model (as shown in Figure 102, 103, and 104).

Model	Rated Load ton (kg)	Number of Chain Falls	Load Chain Size ϕ x pitch, mm	Lifting Speed ft/min. (m/min)	Lifting Motor Power hp	Hoist Weight w/10ft (3m) of lift lbs. (kg)
TE 125	1/8 (125)	1	4 x 12	39 (12) 39/12 (12/3.6)	0.4 0.4/0.13	55 (25)
TE 250	1/4 (250)	1	5 x 15	33 (10) 33/10 (10/3.2)	0.55 0.55/0.17	68 (31)
TE 500	1/2 (500)	2	5 x 15	16 (5) 16/5 (5/1.6)	0.55 0.55/0.17	73 (33)
TE 500	1/2 (500)	1	6.3 x 19	33 (10) 33/10 (10/3.2)	1.2 1.2/0.17	84 (38)
TE 1000	1 (1000)	2	6.3 x 19	16 (5) 16/5 (5/1.6)	1.2 1.2/0.17	95 (43)
TE 1000	1 (1000)	1	8 x 24	23 (7) 23/7 (7/2.3)	2.1 2.1/0.75	124 (56)
TE 2000	2 (2000)	2	8 x 24	13 (4) 13/3 (4/1)	2.1 2.1/0.75	141 (64)

Table 101

Push Travel Trolley

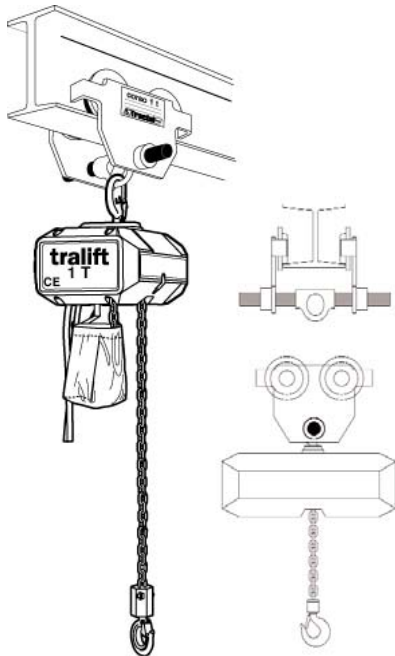


Figure 102

Geared Trolley

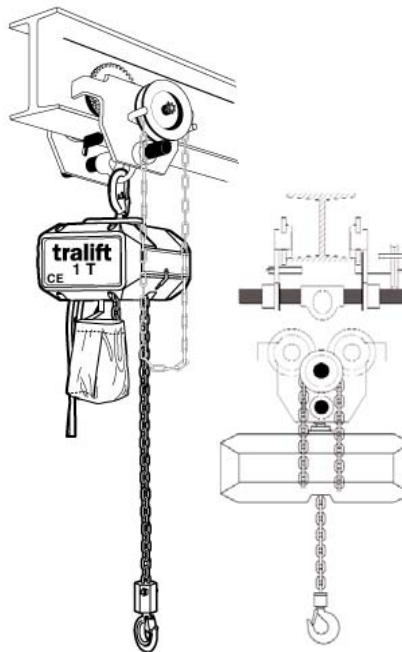


Figure 103

Electric Drive Trolley

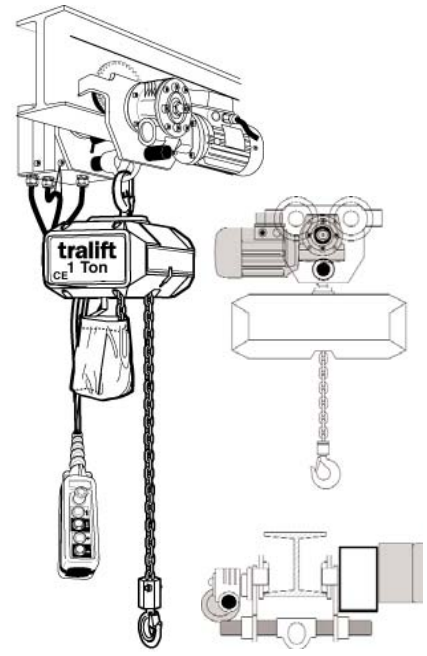


Figure 104